

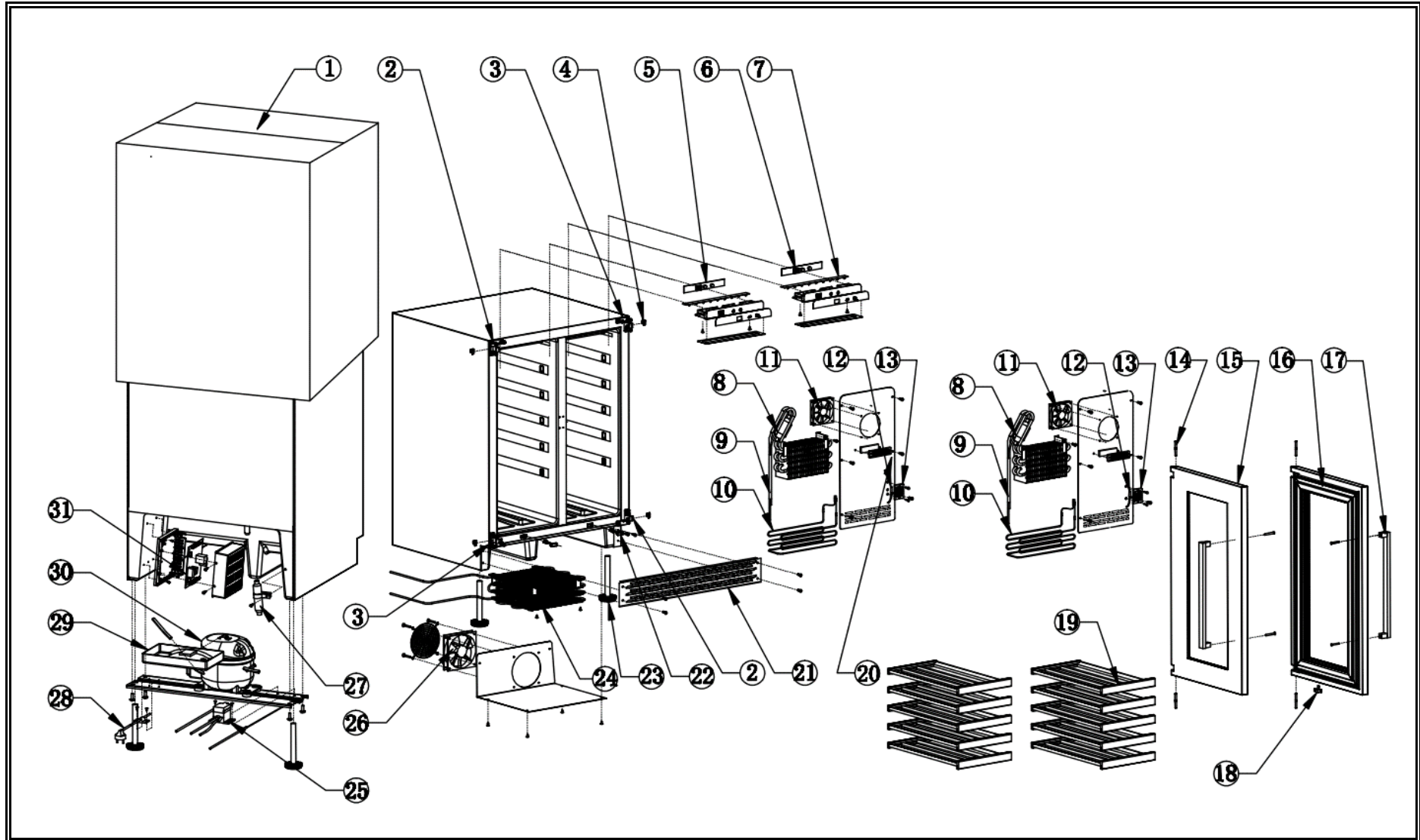


***7525.0030***

Onderdelen informatie  
Erzatzteil information  
Spare part information  
Information de pièces







| POS: | Art.No.:    | Omschrijving:                       | Aantal: |
|------|-------------|-------------------------------------|---------|
| 1    |             | Carton                              | 1       |
| 2    | CS9338.4920 | Black right hinge                   | 2       |
| 3    | CS9338.4912 | Black left hinge                    | 2       |
| 4    | CS9338.4946 | Limited rubber                      | 4       |
| 5    |             | Mini white display board (left)     | 1       |
| 6    |             | 2D Mini white display board (Right) | 1       |
| 7    | CS9338.4928 | White LED light (9pcs)              | 2       |
| 8    | CS9338.5054 | 20 evaporator                       | 2       |
| 9    |             | 40 Double zone suction tube         | 2       |
| 10   | CS9338.5074 | Heater strip                        | 2       |
| 11   | CS9338.4922 | DC9025 fan motor                    | 2       |
| 12   | CS9338.4914 | Sensor R=2.1K                       | 2       |
| 13   |             | Sensor cover                        | 2       |
| 13a  |             | Sensor cover end                    | 4       |
| 14   | CS9338.4916 | Door axis                           | 4       |
| 15   |             | Door                                | 2       |
| 16   | CS9338.4924 | SS35 door gasket                    | 2       |
| 17   | CS9338.4626 | Handle                              | 2       |
| 18   | CS9338.4930 | The square magnet                   | 1       |
| 18a  | CS9338.4930 | Magnet mounting box                 | 1       |
| 19   |             | 20 beech wood shelf                 | 10      |
| 20   |             | Carbon                              | 2       |
| 20a  |             | Carbon box                          | 2       |
| 21   |             | VI46 SS kick plate                  | 1       |
| 22   |             | Magnetic switch box                 | 1       |
| 22a  | CS9338.4918 | Magnetic switch PCB board           | 1       |
| 23   | CS9338.4954 | M10 cabinet leg                     | 4       |
| 24   |             | Condenser                           | 1       |
| 25   | CS9338.4958 | Solenoid valve                      | 1       |
| 26   | CS9338.4910 | DC1225B fan motor                   | 1       |
| 27   |             | Dryer filter                        | 1       |
| 28   | CS9392.0830 | Electrical power cord               | 1       |
| 29   |             | Water container                     | 1       |
| 30   | CS9390.2930 | FMXA4C compressor                   | 1       |
| 31   | CS9338.4960 | PCB board                           | 1       |