

STAINLESS STEEL BODY BONE SAW 230V 2100MM

€1,890.00

SKU:

7541.0040

Stainless Steel Bandsaw 230V 2100mm – powerful and precise

Discover our robust and efficient stainless steel bandsaw with a 2100 mm blade, perfect for professional kitchens, butcheries, and food processing facilities. With a powerful 1.5 kW motor and high-quality blade, this machine effortlessly cuts through meat, fish, and bones, allowing you to work quickly and accurately. The durable stainless steel construction ensures long service life and easy maintenance, while the compact size allows easy placement even in busy workspaces. The bandsaw is equipped with an emergency stop for maximum safety. Dimensions: 607x657x1152 mm (LxWxH) – Power: 1.5 kW – Voltage: 230V – Blade length: 2100 mm – Weight: 65 kg.

Key features:

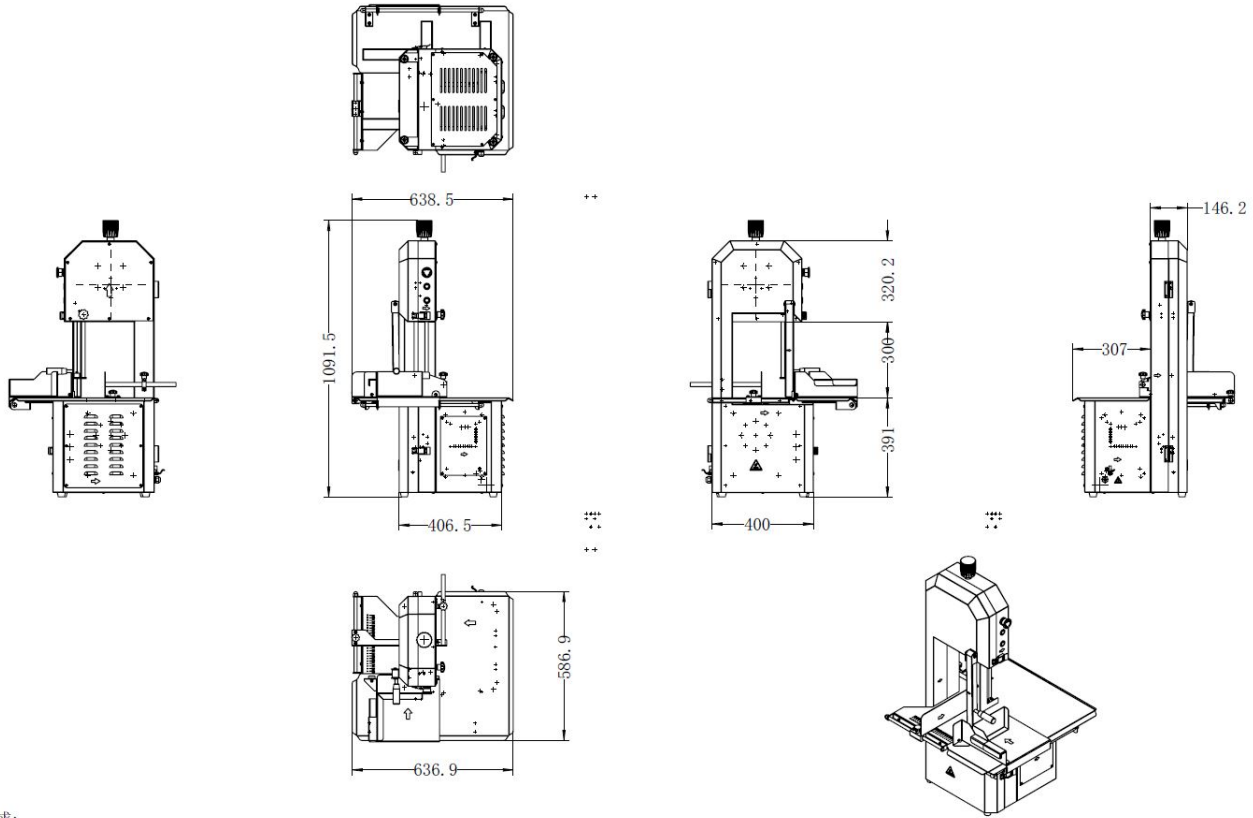
- **Powerful 1.5 kW motor:** for fast and effortless cutting
- **2100 mm high-quality blade:** suitable for meat, fish, and bones
- **Robust stainless steel design:** durable, hygienic, and easy to clean
- **Easy to use:** precise and efficient cutting
- **Equipped with emergency stop:** for extra safety

Whether you run a busy butchery or process meat professionally in a kitchen, this stainless steel bandsaw offers the perfect combination of power, precision, and ease of use. Order today and experience the convenience of professional cutting!





Width (mm)	607	Depth (mm)	657
Height (mm)	1152	Material	Stainless steel
Color	Stainless steel	Parcel ready	No
Gross Weight (kg)	95	Net weight(kg)	65
Voltage (Volt)	230	Frequency (Hz)	50
Electrical power (kW)	1,5	Band Length (mm)	2020
Brand	COMBISTEEL	Plug and play (EU only)	Yes



要求: