

## WALL MOUNTED UNIT MARCO 1.9

€5,845.00

SKU:

7455.3105

**Introducing the stylish wall-mounted unit Marco 1.9 – the perfect wall refrigeration unit for supermarkets and professional environments!**



This sleek, standing model features a black finish, 3 self-closing glass doors and 5 adjustable shelves – ideal for beautifully displaying chilled products like drinks, dairy, or snacks. The shelves can also be positioned at an angle, providing better product presentation and visibility. With forced air cooling and automatic defrost, it ensures consistent performance with minimal maintenance. The bright LED lighting under each shelf enhances product visibility, while the eco-friendly R290 refrigerant supports sustainability goals. Built for environments up to 25°C, it's a plug-and-play solution for any professional space. The dimensions are 1935x740x2010 mm (WxDxH) – consumption 0.98 kW – capacity 1939 liters – temp. +2/+8°C – display surface of 4.05 m<sup>2</sup> – weight 370 kg.

### Key features:

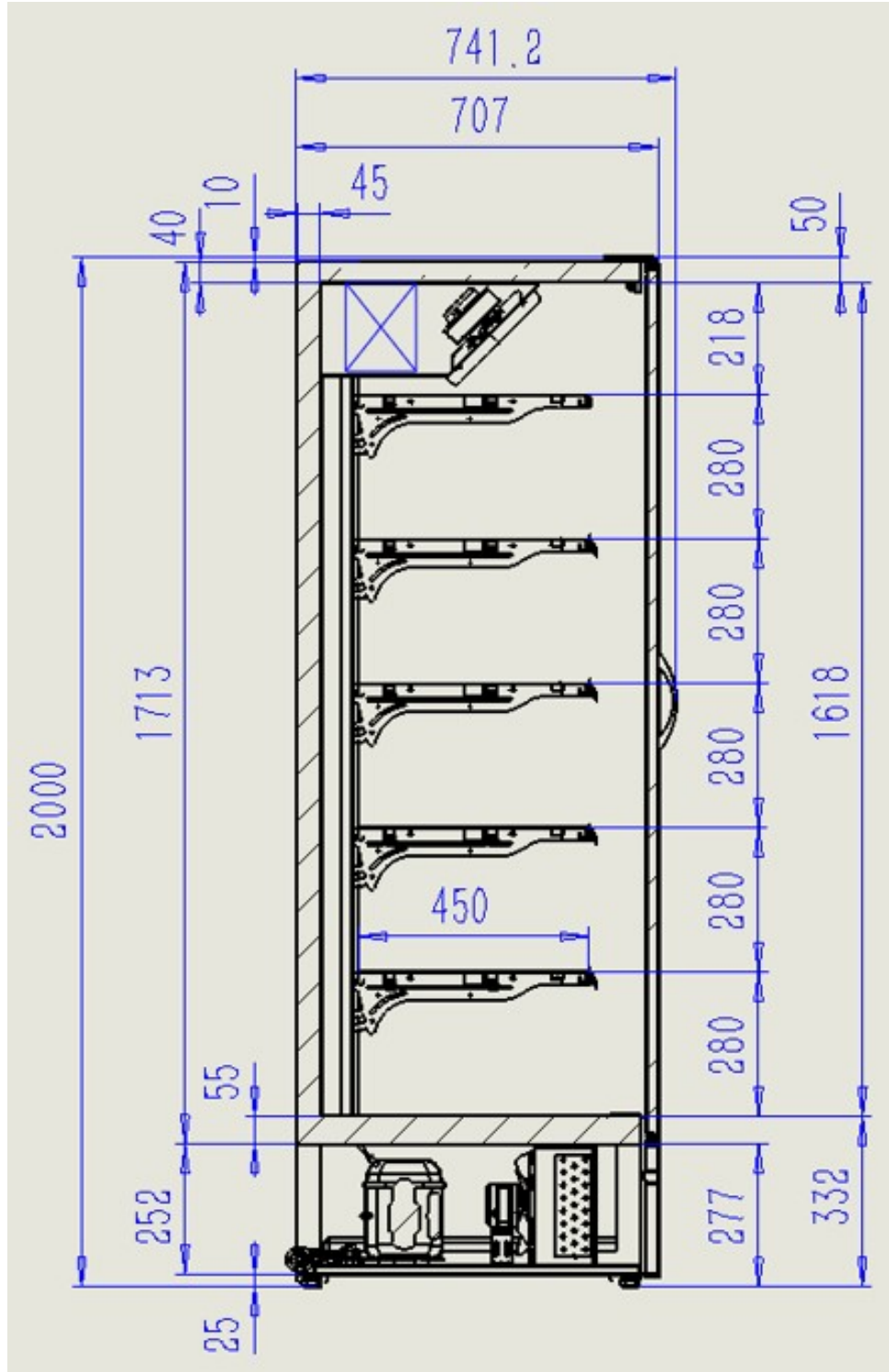
- **Forced air cooling:** ensures even and efficient temperature throughout.
- **LED lighting:** bright and energy-saving, highlights your products perfectly.
- **Self-closing doors:** help maintain the ideal internal temperature.
- **High capacity & sturdy design:** 5 strong shelves, each holding up to 80 kg.
- **Energy-efficient operation:** rated with energy label B and insulated with 40 mm thick panels.

Whether you're showcasing soft drinks, dairy, or ready-to-go products, the wall-mounted unit Marco 1.9 is a dependable and elegant solution that fits perfectly into any retail setup. Order now to boost both functionality and visual appeal in your store!

# CombiSteel



EAN code	7422242997901	Width (mm)	1935
Depth (mm)	740	Height (mm)	2010
Color	Black	Gross Weight (kg)	420
Net weight(kg)	370	Voltage (Volt)	230
Frequency (Hz)	50	Electrical power (kW)	0,98
Model tabletop/ freestanding/drop-in	Freestanding	Cooling agent	R 290
Temperature range (°C)	+2/+8	Max. grid load (kg)	80
Gross Capacity (Ltr)	1939	Net Capacity (Ltr)	1147
Showcase area (m2)	4,05	Lights	Yes, LED
Type of cooling	Ventilated	Lockable	No
Mobile	No	Number of doors	3
Number of levels	5	Noise level (dB)	65
Defrost	Automatic	Max. ambient temperature (°C)	25
Insulation thickness (mm)	40	Energy Class (A/G)	A
Brand	COMBISTEEL	EPREL ID	2412523
Plug and play (EU only)	Yes	Self-closing door	Yes
RAL color	9005		





# ENERG




Combisteel

7455.3105



**2967** kWh/annum

  
**4.13** m<sup>2</sup>

  
5°C  
-1°C

2019/2018



# ENERG



Combisteel


7455.3105-eco



**2177** kWh/annum



**4,13** m<sup>2</sup>



5°C  
-1°C

2019/2018