

## COUNTERTOP MODEL ICE CREAM DISPLAY WHITE OPENS ON THE OPERATING SIDE

€1,375.00

SKU:

7292.0005

### Countertop Ice Cream Display Freezer: The Perfect Presentation for Ice Cream and Desserts



This compact ice cream display freezer is ideal for ice cream parlors, cafés, food trucks, and restaurants. Perfect for showcasing ice cream, sorbets, and other chilled treats. With a sleek design and advanced technology, this display freezer offers everything you need to present your products at their best. Dimensions: 670x750x375mm (WxDxH) - Temperature: -18°C/-16°C - Energy consumption: 0.19 kW - Weight: 67 kg.

#### Key Features:

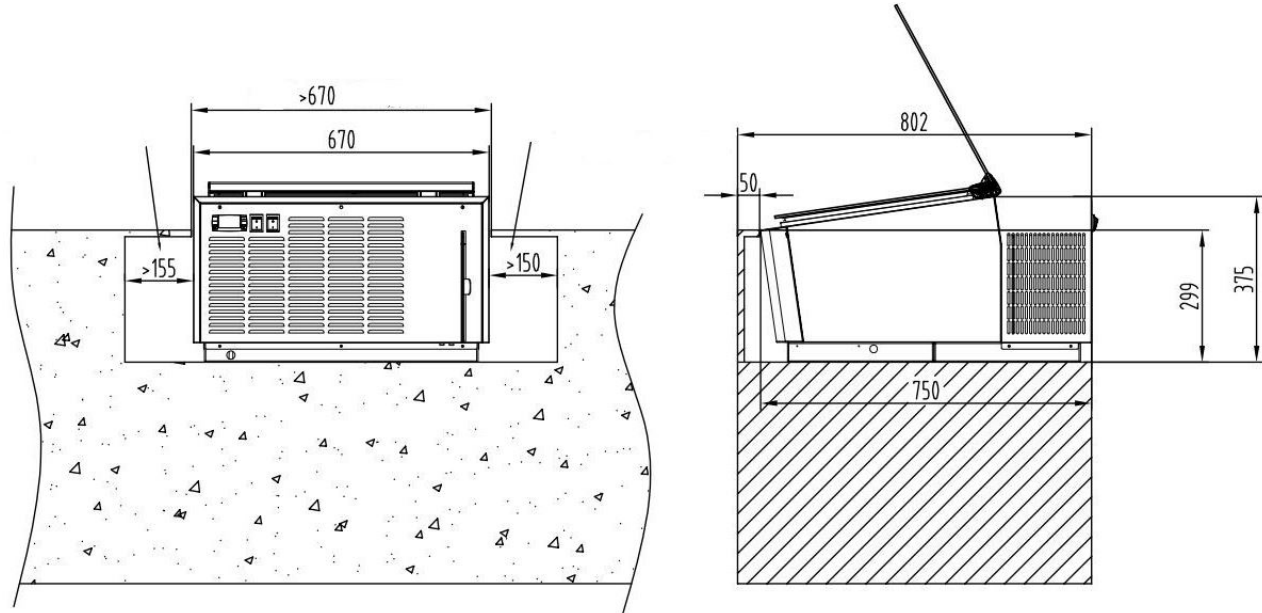
- **LED lighting:** Ensures an attractive presentation, even in low light.
- **Intelligent temperature control system:** Keeps the temperature stable for optimal product quality.
- **Safety glass with heating element:** Prevents condensation, ensuring the contents remain clearly visible.
- **Soft-closing glass lid:** The lid stays open when needed and closes gently for added convenience.
- **Compact and practical:** Requires minimal space but offers enough capacity for multiple flavors.

Whether you run a small hospitality business or a mobile food truck, this countertop ice cream display freezer combines functionality and style for a professional presentation of your chilled delights.





EAN code	7422242913956	Width (mm)	670
Depth (mm)	750	Height (mm)	375
Color	White	Gross Weight (kg)	67
Particulars	Exclusief ijsbakken	Voltage (Volt)	230
Frequency (Hz)	50	Electrical power (kW)	0.195
Cooling agent	R 290	Capacity in units per time	3x5 ltr
Temperature range (°C)	-16/-18	Dim. interior WxDxH (mm)	550x415x150
Lights	Yes	Type of cooling	Static
Lockable	No	Defrost	Manual
Max. ambient temperature (°C)	30	Brand	COMBISTEEL
Refrigerant quantity (gr)	50	Energy Class (A/G)	B
EPREL ID	2052295	Plug and play (EU only)	Yes





# ENERG




Combisteel B.V.

7292.0005



**1169** kWh/annum

  
**0,18** m<sup>2</sup>

 -17°C  
-21°C

2019/2018