



700 REFRIGERATED COUNTER 6 DRAWERS

€2,660.00

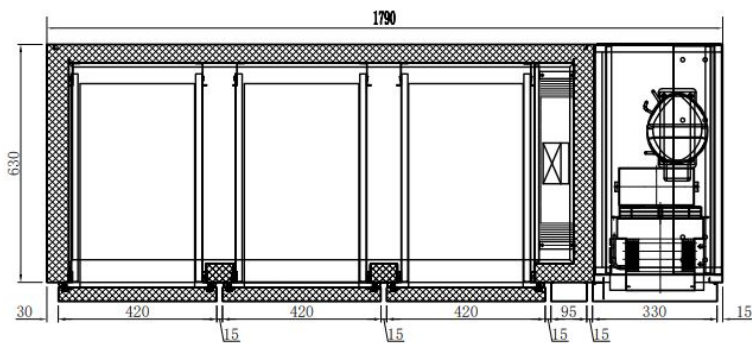
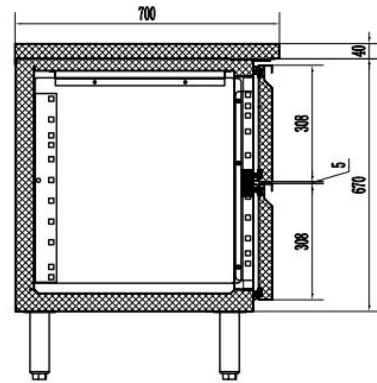
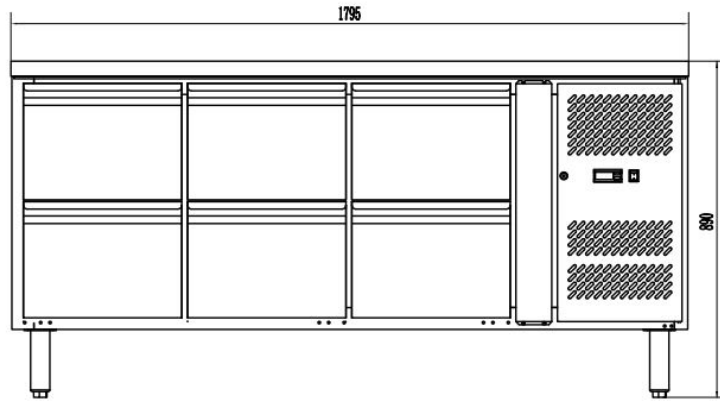
SKU:


7950.0230





| | | | |
|-------------------------------|---------------------|---------------------------|----------------------|
| EAN code | 6017443558580 | Type | Standard Line |
| Width (mm) | 1795 | Depth (mm) | 700 |
| Height (mm) | 850 | Material | Stainless steel 18/8 |
| Material interior | Stainless steel 201 | Color | Stainless steel |
| Gross Weight (kg) | 160 | Voltage (Volt) | 230 |
| Frequency (Hz) | 50 | Electrical power (kW) | 0,34 |
| Cooling agent | R 600 A | Temperature range (°C) | +2/+8 |
| Gross Capacity (Ltr) | 417 | Dim. interior WxDxH (mm) | 1230x580x560 |
| Type of cooling | Ventilated | Number of drawers | 6 |
| Noise level (dB) | 42 | Defrost | Automatic |
| Max. ambient temperature (°C) | 38 | Energy Class (A/G) | B |
| Brand | COMBISTEEL | Refrigerant quantity (gr) | 95 |
| EPREL ID | 2157583 | Plug and play (EU only) | Yes |



 **ENERG** Y IJA
енергия · ενεργεια IE IA


Combisteel
B.V. 7950.0230


A B C D E F G


B

ENERGIA · ЕНЕРГИЯ · ΕΝΕΡΓΕΙΑ
ENERGIJA · ENERGY · ENERGIE
ENERGI

768
kWh/annum

 **198**L

 - L

 **4**
30°C-55%

2015/1094-I